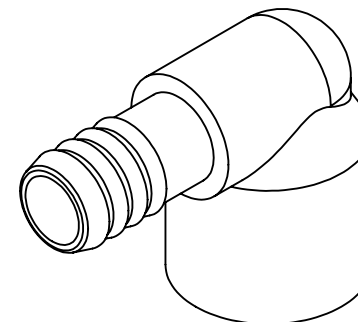
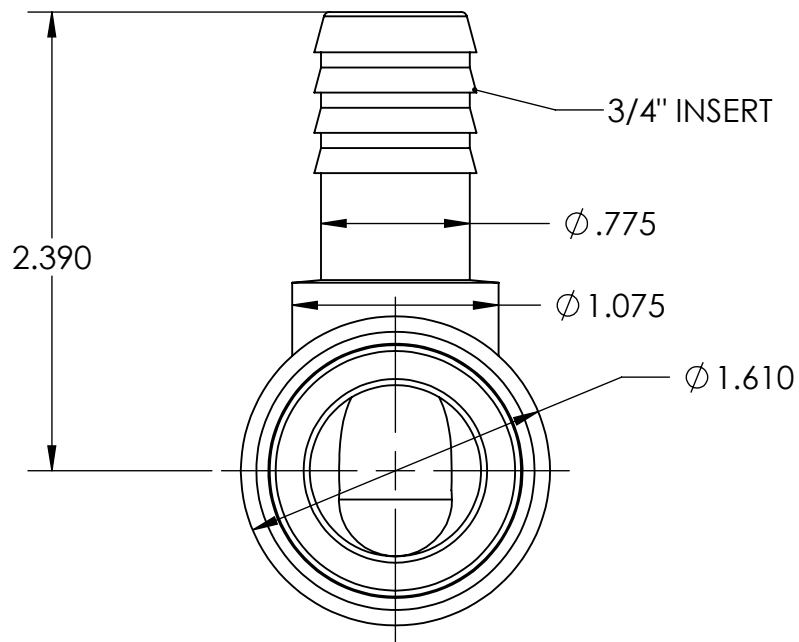



SECTION A-A
SCALE 1 : 1



 DURA PLASTICS PRODUCTS 533E Third Street Beaumont CA 92223 Phone:(951)845-3161 Fax:(951)845-7644		NAME	DATE
		JACK VAN GOSSEN	02/07/14
SIZE	Description:		
A	1410-102 COMB. REDUCING ELBOW 90°		
SCALE: 1:2	REV : .03	SHEET 1 OF 1	

File Name : 1410-102		NAME	DATE
PROPRIETARY AND CONFIDENTIAL THE INFORMATION CONTAINED IN THIS DRAWING IS THE SOLE PROPERTY OF DURA PLASTIC PRODUCTS . ANY REPRODUCTION IN PART OR AS A WHOLE WITHOUT THE WRITTEN PERMISSION OF DURA PLASTIC PRODUCTS IS PROHIBITED.	UNLESS OTHERWISE SPECIFIED: DIMENSIONS ARE IN INCHES TOLERANCES: FRACTIONAL ±1/32 ANGULAR: ± 1/2° TWO PLACE DECIMAL ±.010 THREE PLACE DECIMAL ±.005	DRAWN	JACK VAN GOSSEN
		CHECKED	
		ENG APPR.	
		MFG APPR.	