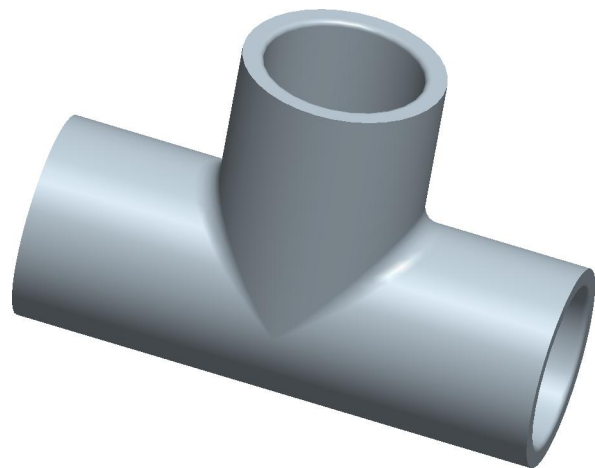


SECTION A-A
SCALE 1.000



(401-005)
1/2" Slip Tee - SCH.40
03/11/02