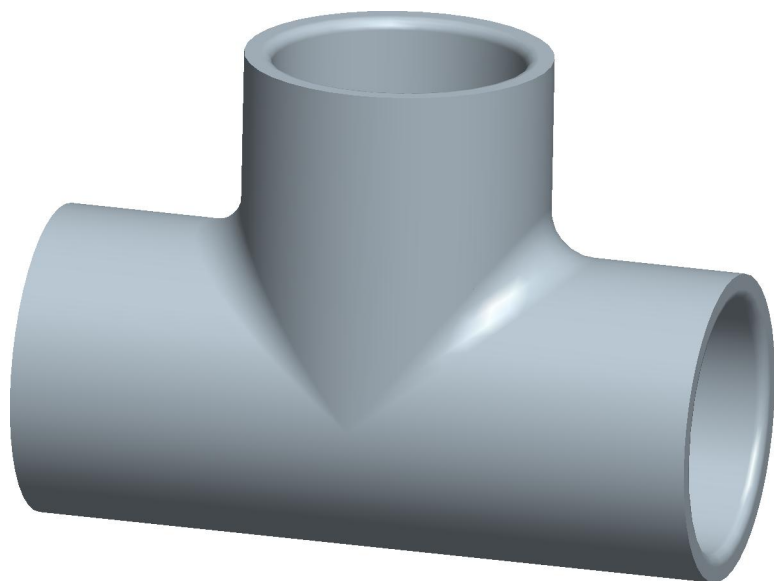


SECTION A-A



DURA PLASTIC PRODUCTS

533E Third Street Beaumont CA 92223
 PHONE: (951)845-3161 FAX: (951)845-7644

.XX = ±.015	FILE NAME: 401-010		DATE: 06-05-2000	REVISION
.XXX = ±.005	MAT'L:	SCALE: 1.000	SHEET 1 OF 1	
.XXXX = ±.0005	REQ'D:	(401-010) 1" SLIP TEE		
ANGULAR = ±1/2°	NAME: PETER DOAN			
FRACTION = ±1/32				