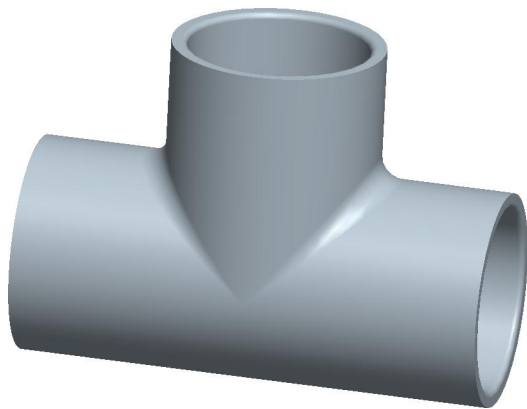


SECTION A-A



**DURA PLASTIC PRODUCTS**

533E Third Street Beaumont CA 92223  
 PHONE: (951)845-3161 FAX: (951)845-7644

.XX = $\pm .015$	FILE NAME:	401-015	DATE:	REVISION
.XXX = $\pm .005$	MAT'L:	PVC-I	SCALE:	SHEET 1 OF 1
.XXXX = $\pm .0005$	REQ'D:	<b>( 401-015-NEW )</b> <b>1 1/2" SLIP TEE SCH40</b>		
ANGULAR = $\pm 1/2^\circ$	NAME:			
FRACTION = $\pm 1/32$				