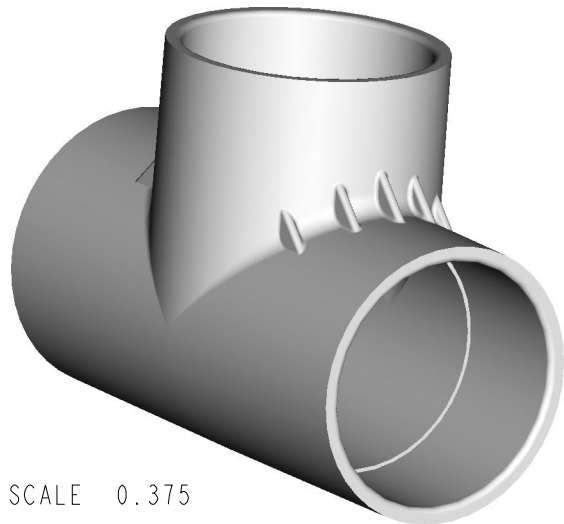


SECTION A-A



SCALE 0.375



DURA PLASTIC PRODUCTS

533E Third Street Beaumont CA 92223
 PHONE: (951)845-3161 FAX: (951)845-7644

.XX = ±.015	FILE NAME: 401-030-3-INCH-TEE		DATE: Nov-08-12	REVISION
.XXX = ±.005	MAT'L:	SCALE: 0.250	SHEET 1 OF 1	
.XXXX = ±.0005	REQ'D:	(401-030) 3" SLIP TEE		
ANGULAR = ±1/2°	NAME: PETER DOAN			
FRACTION = ±1/32				