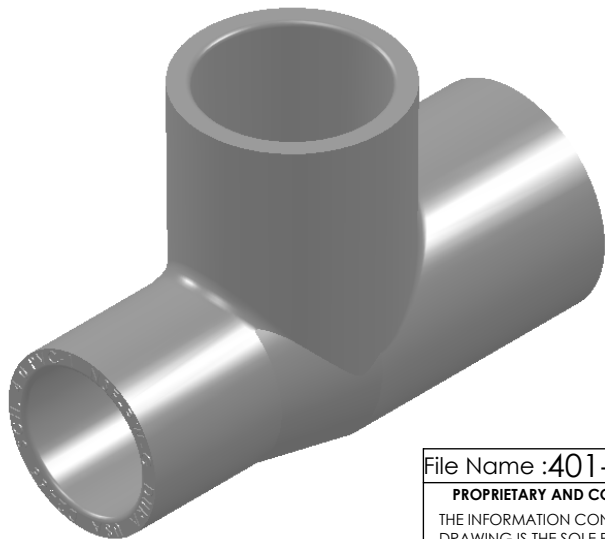


SECTION E-E
SCALE 1 : 1



DURA PLASTICS PRODUCTS
 533E Third Street Beaumont CA 92223
 Phone:(951)845-3161 Fax:(951)845-7644

File Name :401-095

PROPRIETARY AND CONFIDENTIAL
 THE INFORMATION CONTAINED IN THIS DRAWING IS THE SOLE PROPERTY OF **DURA PLASTIC PRODUCTS**. ANY REPRODUCTION IN PART OR AS A WHOLE WITHOUT THE WRITTEN PERMISSION OF **DURA PLASTIC PRODUCTS** IS PROHIBITED.

UNLESS OTHERWISE SPECIFIED:
 DIMENSIONS ARE IN INCHES
 TOLERANCES:
 FRACTIONAL ±1/32
 ANGULAR: ± 1/2°
 TWO PLACE DECIMAL ±.010
 THREE PLACE DECIMAL ±.005

	NAME	DATE
DRAWN	JEFF HALLIWELL	10/11/11
CHECKED		
ENG APPR.		
MFG APPR.		

A	SIZE	Description: (401-095) 3/4" X 1/2" X 3/4" SLIP TEE
	SCALE: 1:2	
REV :	.00	SHEET 1 OF 1