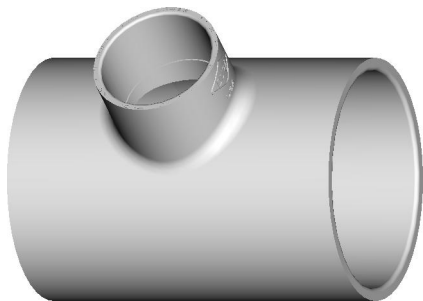
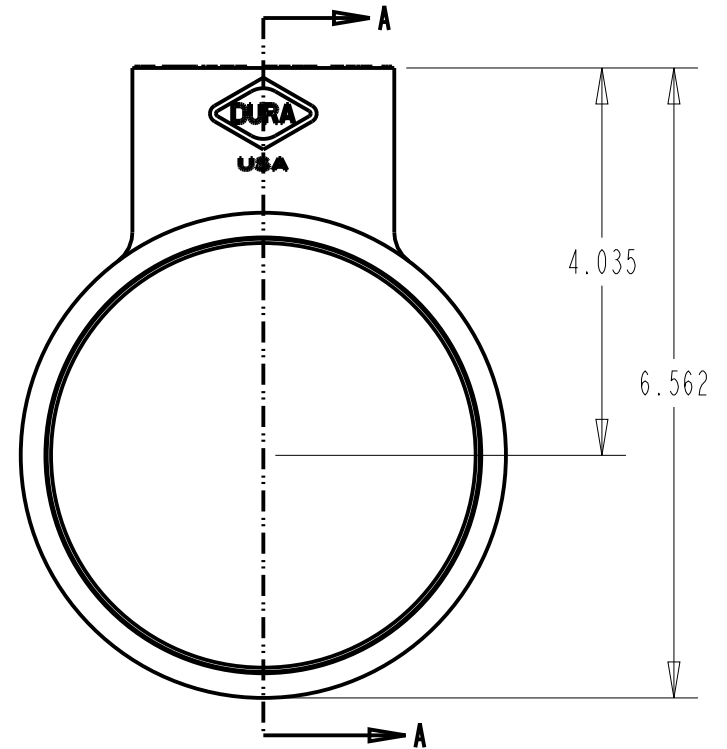


SECTION A-A



SCALE 0.250

<b>DURA PLASTIC PRODUCTS</b> 533E Third Street Beaumont CA 92223 PHONE: (951)845-3161 FAX: (951)845-7644			
.XX = ±.015 .XXX = ±.005 .XXXX = ±.0005 ANGULAR = ±1/2° FRACTION = ±1/32	FILE NAME: 401-420	DATE: 14-May-09	REVISION
	MAT'L: PVC-I	SCALE: 0.500	SHEET 1 OF 9
REQ'D:	<b>401-420</b> <b>4" SLIP X 4" SLIP X 2" SLIP</b> <b>SCH. 40 - 4 CAVITY</b>		
NAME: ERNIE FLOYD			