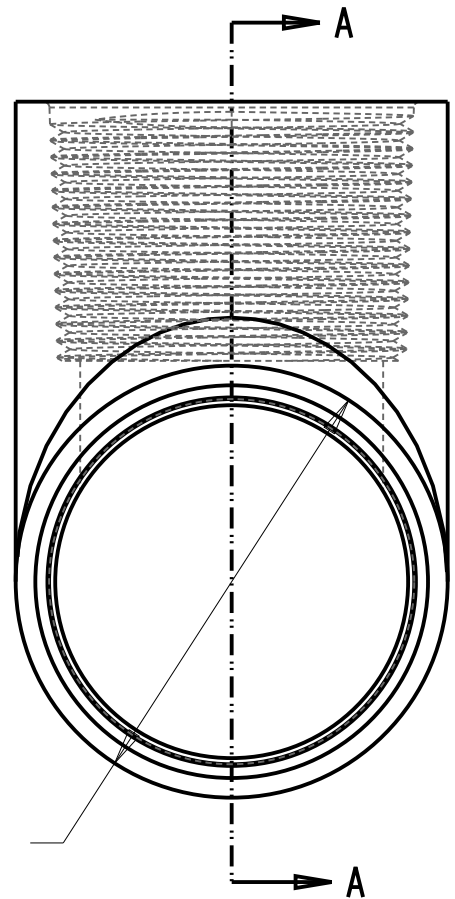
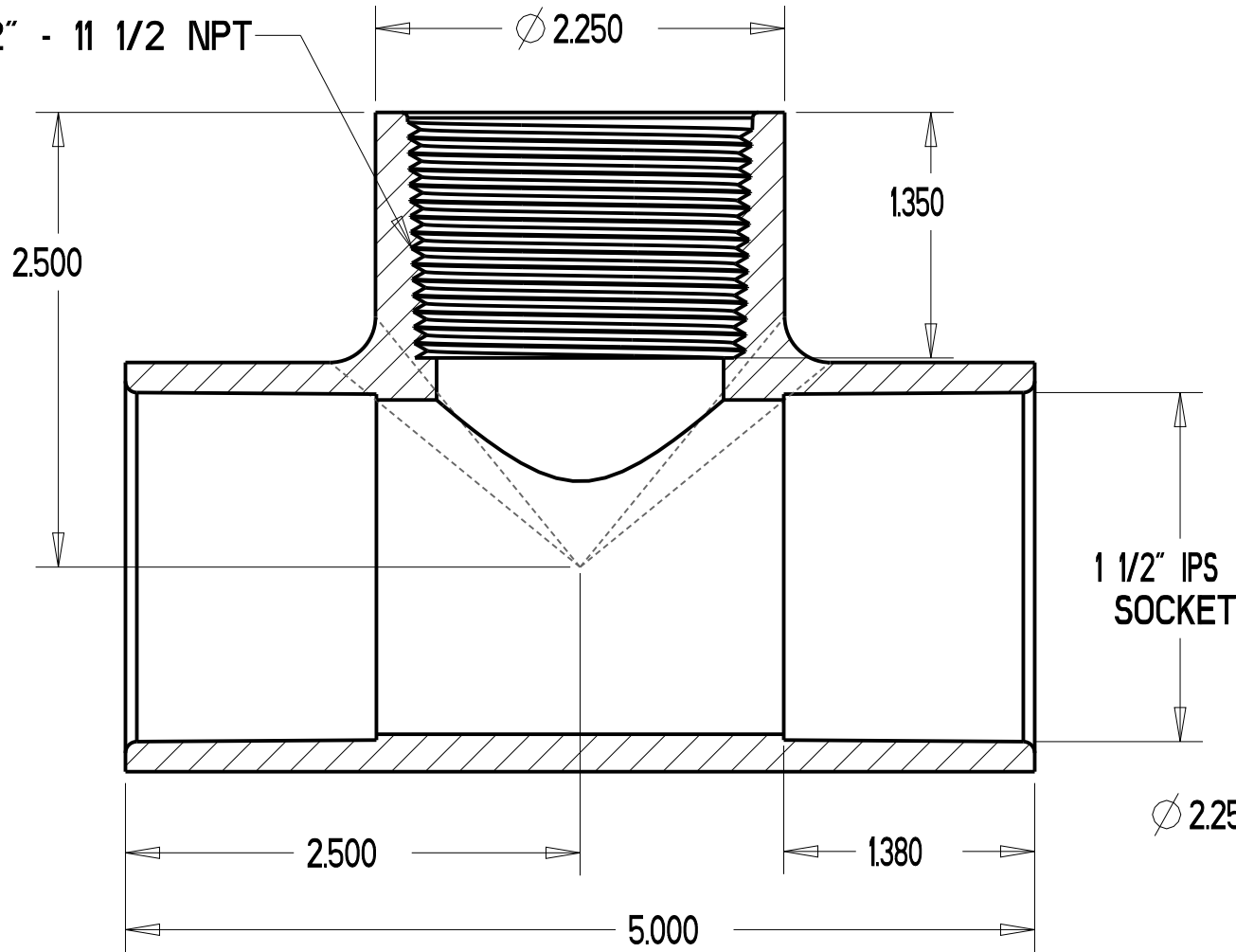


1 1/2" - 11 1/2 NPT



SECTION A-A



DURA PLASTIC PRODUCTS

533E Third Street Beaumont CA 92223
PHONE: (951)845-3161 FAX: (951)845-7644

.XX = ±.015 .XXX = ±.005 .XXXX = ±.0005 ANGULAR = ±1/2° FRACTION = ±1/32	FILE NAME: 402-015		DATE: Feb-13-12	REVISION
	MAT'L: PVC-1	SCALE: 1.000	SHEET 1 OF 1	
	REQ'D:	402-015		
	NAME: PETER DOAN			