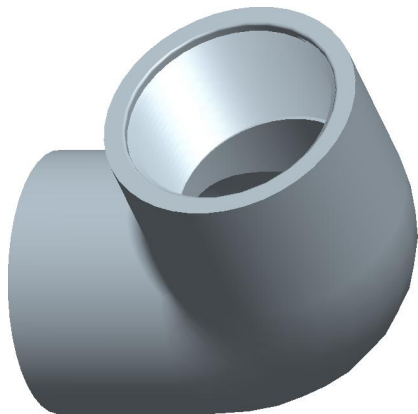
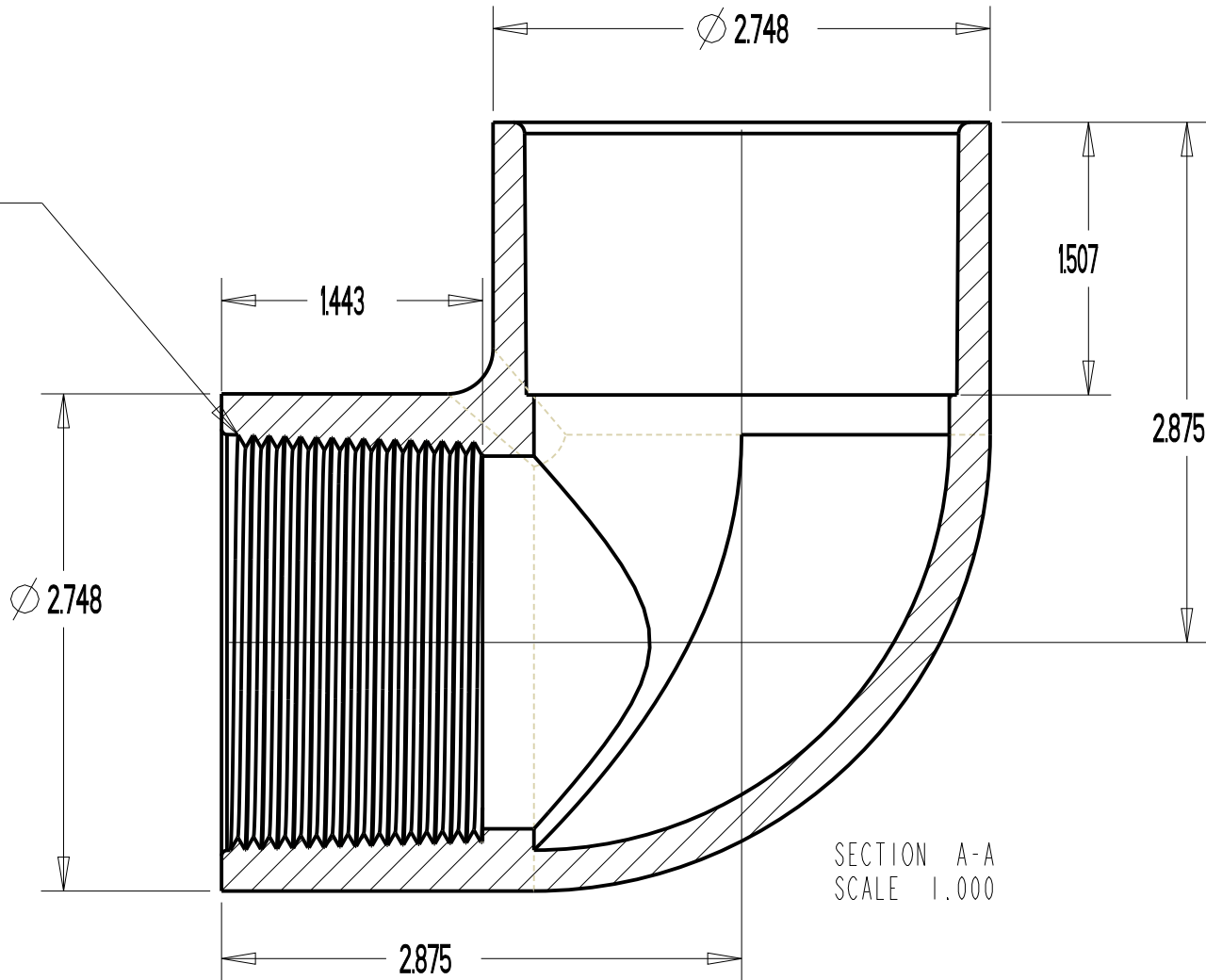


2" - 11 1/2 NPT



DURA PLASTIC PRODUCTS

533E Third Street Beaumont CA 92223
PHONE: (951)845-3161 FAX: (951)845-7644

.XX = ± 0.015	FILE NAME: 407-020		DATE: Feb-13-12	REVISION
.XXX = ± 0.005	MAT'L: PVC-1	SCALE: 0.500	SHEET 1 OF 1	
.XXXX = ± 0.0005	REQ'D:	407-020		
ANGULAR = $\pm 1/2^\circ$	NAME: PETER DOAN			
FRACTION = $\pm 1/32$				