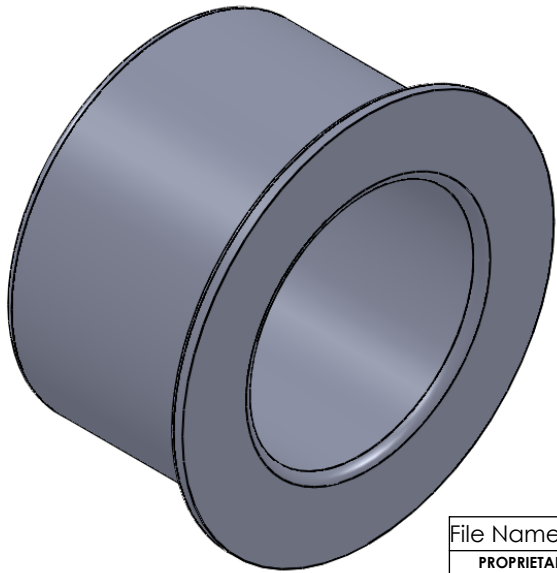


SECTION A-A



File Name :437-250

**PROPRIETARY AND CONFIDENTIAL**  
 THE INFORMATION CONTAINED IN THIS DRAWING IS THE SOLE PROPERTY OF **DURA PLASTIC PRODUCTS**. ANY REPRODUCTION IN PART OR AS A WHOLE WITHOUT THE WRITTEN PERMISSION OF **DURA PLASTIC PRODUCTS** IS PROHIBITED.

UNLESS OTHERWISE SPECIFIED:  
 DIMENSIONS ARE IN INCHES  
 TOLERANCES:  
 FRACTIONAL:  $\pm 1/32$   
 ANGULAR:  $\pm 1/2^\circ$   
 TWO PLACE DECIMAL  $\pm .010$   
 THREE PLACE DECIMAL  $\pm .005$

	NAME	DATE
DRAWN	PDOAN	03-25-11
CHECKED		
ENG APPR.		
MFG APPR.		

**DURA PLASTICS PRODUCTS**  
 533E Third Street Beaumont CA 92223  
 Phone:(951)845-3161 Fax:(951)845-7644

<b>SIZE</b> <b>A</b>	Description:	
	( 437-250 ) 2" x 1 1/4" R.B. - SCH.40	
SCALE: 1:1	REV : .00	SHEET 1 OF 1