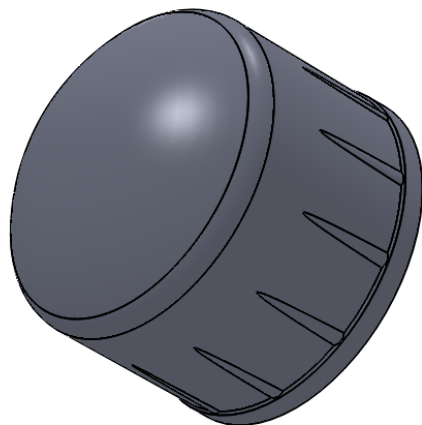


SECTION **A-A**



DURA **DURA PLASTICS PRODUCTS**
 533E Third Street Beaumont CA 92223
 Phone:(951)845-3161 Fax:(951)845-7644

File Name : 110812-447-060

PROPRIETARY AND CONFIDENTIAL
 THE INFORMATION CONTAINED IN THIS DRAWING IS THE SOLE PROPERTY OF **DURA PLASTIC PRODUCTS**. ANY REPRODUCTION IN PART OR AS A WHOLE WITHOUT THE WRITTEN PERMISSION OF **DURA PLASTIC PRODUCTS** IS PROHIBITED.

UNLESS OTHERWISE SPECIFIED:
 DIMENSIONS ARE IN INCHES
 TOLERANCES:
 FRACTIONAL $\pm 1/32$
 ANGULAR: $\pm 1/2^\circ$
 TWO PLACE DECIMAL $\pm .010$
 THREE PLACE DECIMAL $\pm .005$

	NAME	DATE
DRAWN	PDOAN	11-08-12
CHECKED		
ENG APPR.		
MFG APPR.		

A	SIZE	Description: (447-060) 6" SLIP CAP
	SCALE: 1:4	
REV :	0	SHEET 1 OF 1