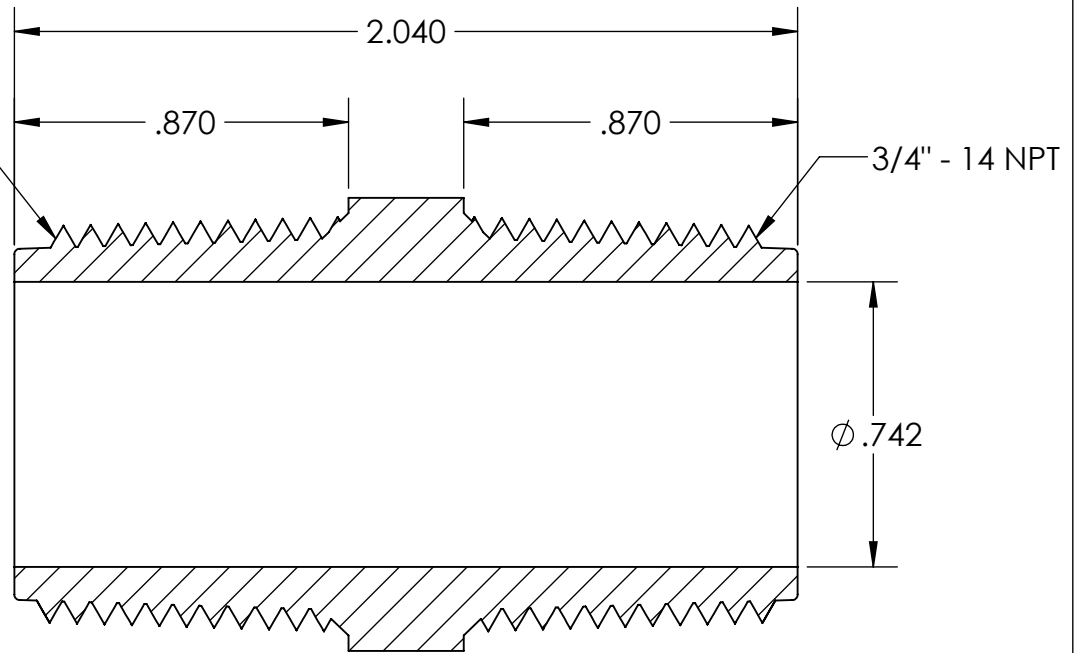


3/4" - 14 NPT



SECTION E-E



DURA PLASTICS PRODUCTS

533E Third Street Beaumont CA 92223

Phone:(951)845-3161 Fax:(951)845-7644

File Name :020612-8203

PROPRIETARY AND CONFIDENTIAL
 THE INFORMATION CONTAINED IN THIS DRAWING IS THE SOLE PROPERTY OF DURA PLASTIC PRODUCTS. ANY REPRODUCTION IN PART OR AS A WHOLE WITHOUT THE WRITTEN PERMISSION OF DURA PLASTIC PRODUCTS IS PROHIBITED.

UNLESS OTHERWISE SPECIFIED:
 DIMENSIONS ARE IN INCHES
 TOLERANCES:
 FRACTIONAL ±1/32
 ANGULAR: ± 1/2°
 TWO PLACE DECIMAL ±.010
 THREE PLACE DECIMAL ±.005

	NAME	DATE
DRAWN	JEFF HALLIWELL	2/2/12
CHECKED		
ENG APPR.		
MFG APPR.		

SIZE
A

Description: **(8203)**
 3/4" X 2" THREADED NIPPLE
 SCH. 80

SCALE: 2:1 REV : .00 SHEET 1 OF 1

5

↑

4

3

2

1