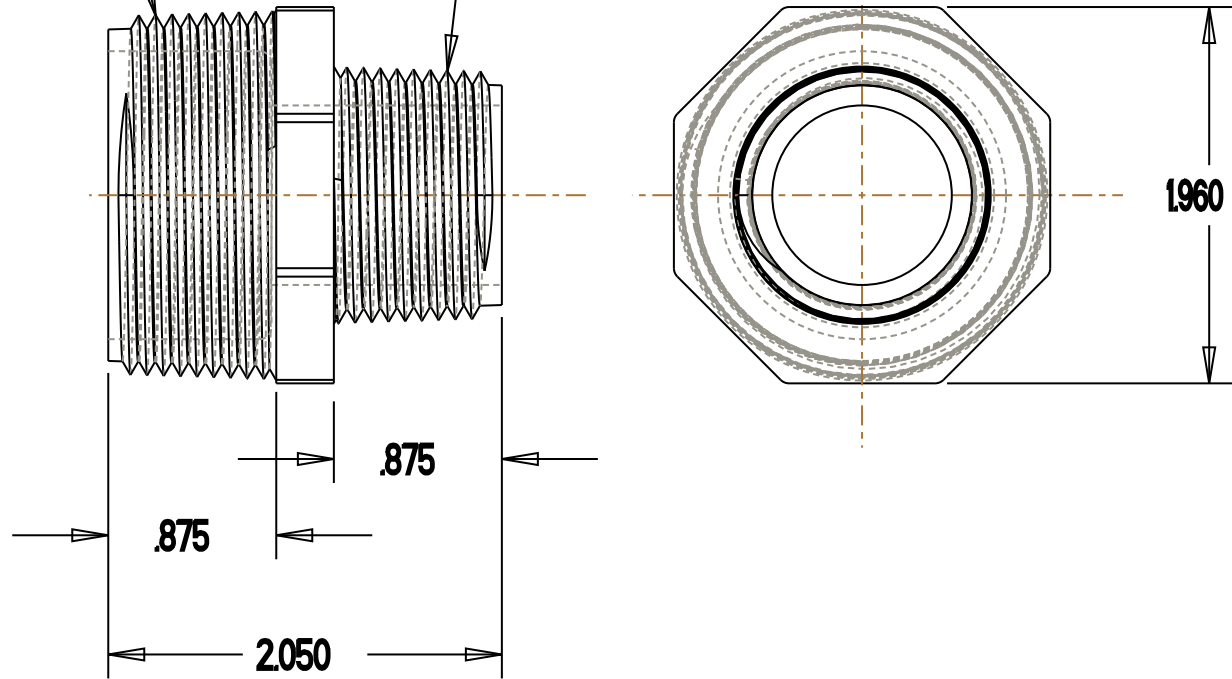


**1 1/2" - 11 1/2 NPT
American National Standard
Taper Pipe Threads**

**1" - 11 1/2 NPT
American National Standard
Taper Pipe Threads**



DURA PLASTIC PRODUCTS

533E Third Street Beaumont CA 92223
PHONE: (951)845-3161 FAX: (951)845-7644

.XX = ±.015 .XXX = ±.005 .XXXX = ±.0005 ANGULAR = ±1/2° FRACTION = ±1/32	FILE NAME: 8503-211	DATE: 10-Aug-09	REVISION
	MAT'L: PVC-1	SCALE: 1.000	SHEET 1 OF 1
REQ'D:	8503-211 1 1/2" MPT x 1" MPT		
NAME: PETER DOAN			